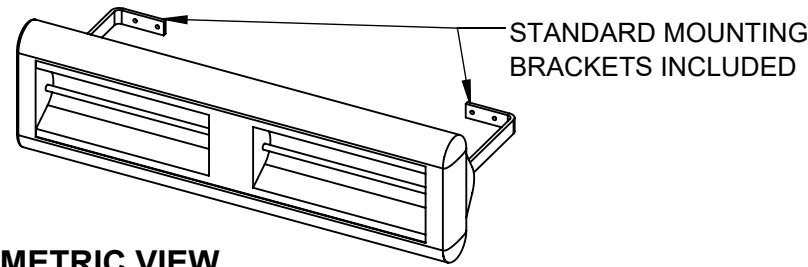
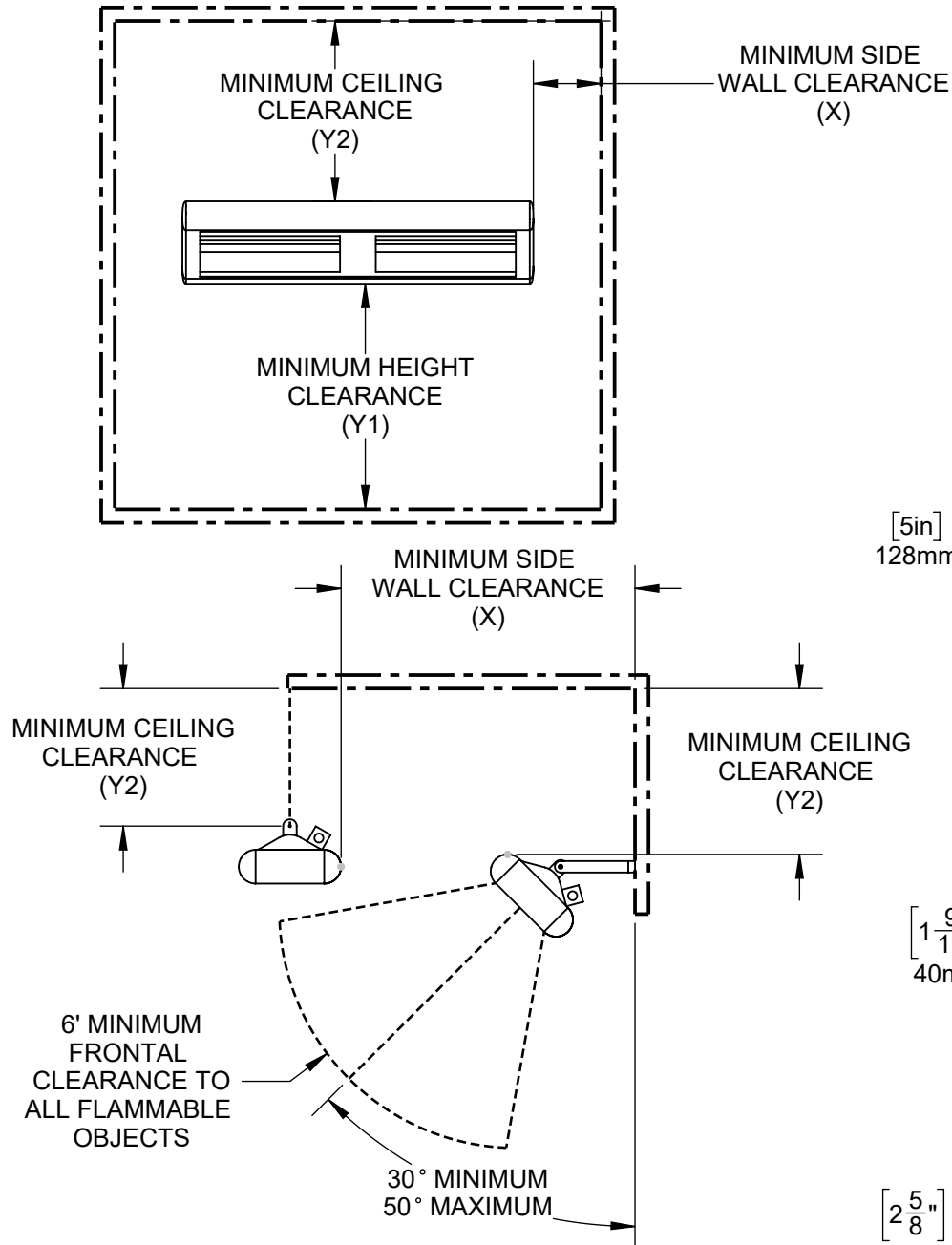


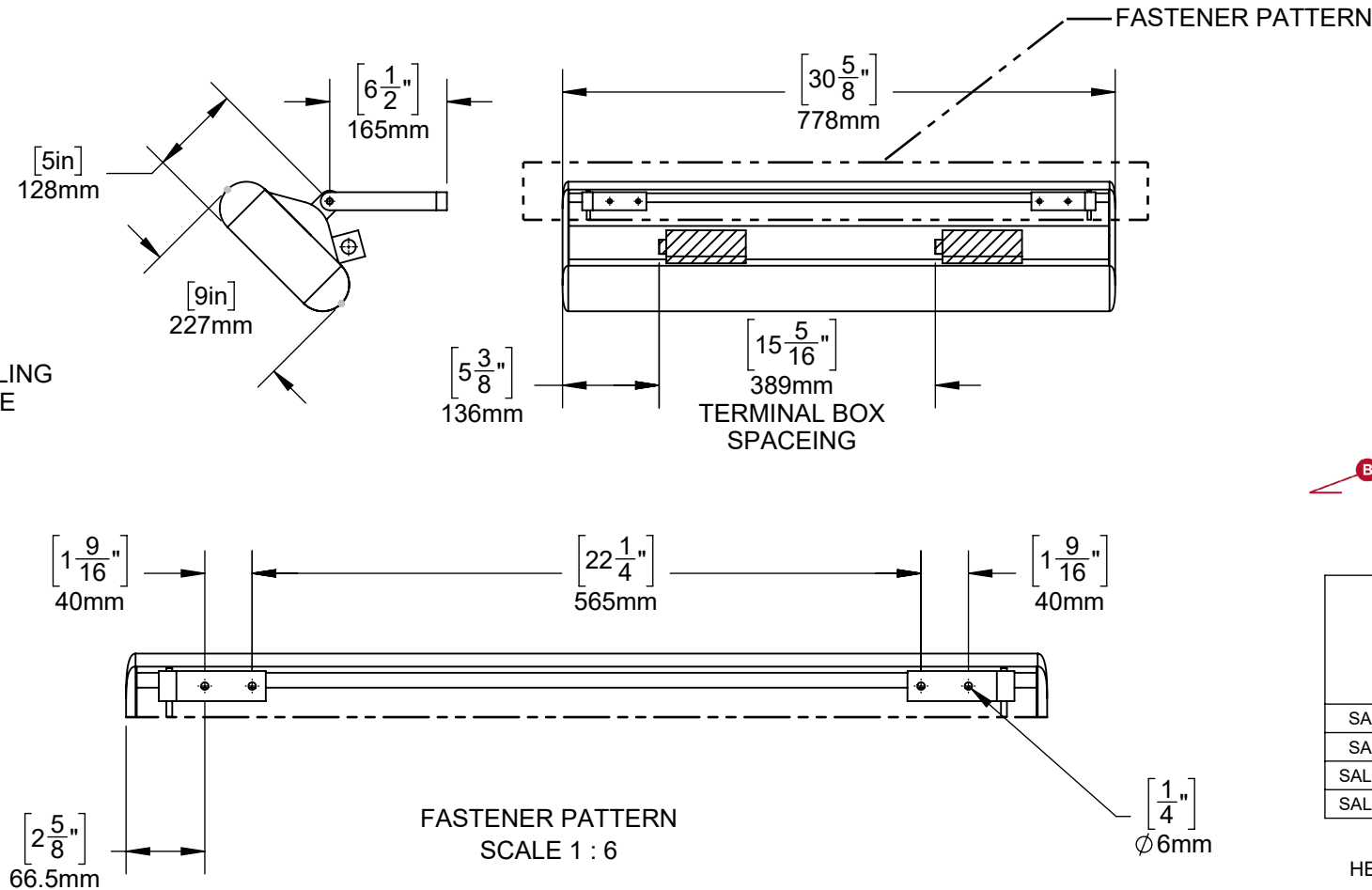
HEATER CLEARANCE REQUIREMENTS

SEE 'HEATER SPECIFICATIONS' TABLE



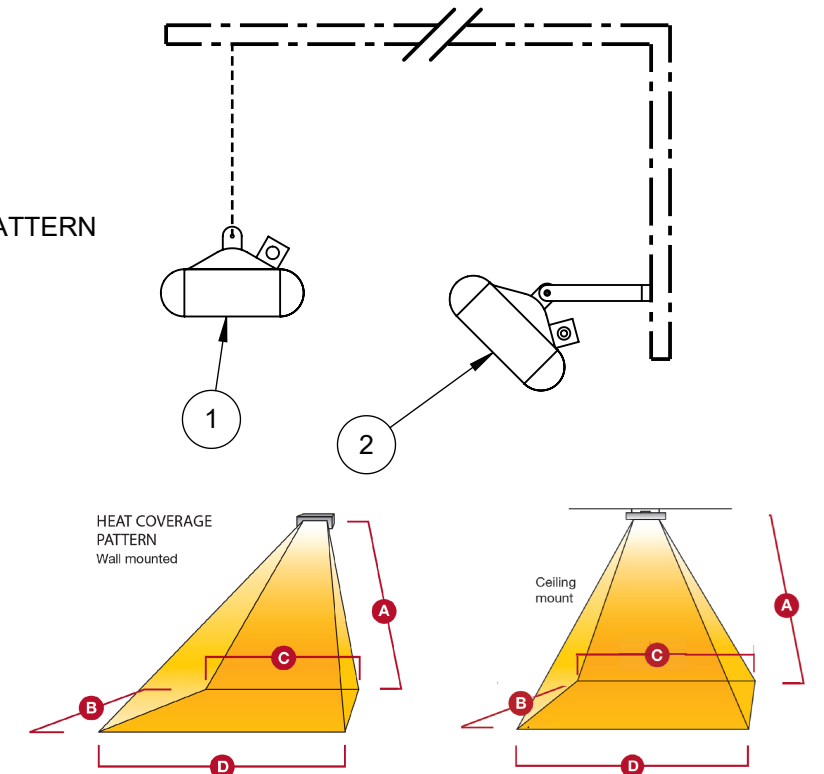
ISOMETRIC VIEW

OVERALL SIZE AND MOUNTING DIMENSIONS



SUITABLE MOUNTING CONFIGURATIONS

1. CEILING SUSPENDED
 - CONTRACTOR SUPPLIED CHAIN OR BRACKET
 - SOLAIRA EXTENSION BRACKET ACCESSORY (OPTIONAL, SOLD SEPARATELY)
2. WALL MOUNTED
 - STANDARD WALL MOUNTING BRACKET



MODEL	A (FEET)	B (FEET)	C (FEET)	D (FEET)	HEAT ZONE* (SQUARE FEET)	HEAT DENSITY* (WATTS/SQUARE FEET)
SALPHA2-30240	10	11	13	16	160	19
SALPHA2-40240	10	11	13	16	160	25
SALPHA2-30240L1	10	11	13	16	160	19
SALPHA2-40240L1	10	11	13	16	160	25

HEAT DENSITY IS REDUCED BY 25% WHEN DE-RATED TO 208V
HEAT DENSITY AND DISTRIBUTION REMAINS UNCHANGED AT 277V

SHORTWAVE INFRARED HEATERS FOR:

- INDOOR USE - COMMERCIAL AND INDUSTRIAL ONLY
- OUTDOOR USE - RESIDENTIAL, COMMERCIAL AND INDUSTRIAL FOR USE IN NON-HAZARDOUS AREAS ONLY

**HEATER SPECIFICATIONS

DESCRIPTION	ITEM/ SKU	WEIGHT (LBS/KG)	240V /277V							208V						
			POWER (WATTS)	HEAT DELIVERED (BTU)	VOLTAGE (VOLTS)	CURRENT (AMPS)	MINIMUM HEIGHT (INCH/cm) (Y1)	CEILING CLEARANCE (INCH/cm) (Y2)	SIDE WALL CLEARANCE (INCH/cm) (X)	POWER (WATTS)	HEAT DELIVERED (BTU)	VOLTAGE (VOLTS)	CURRENT (AMPS)	MINIMUM HEIGHT (INCH/cm) (Y1)	CEILING CLEARANCE (INCH/cm) (Y2)	SIDE WALL CLEARANCE (INCH/cm) (X)
ALPHA H2 CANDEL - 3000W / 240V	SALPHA2-30240L1*	12.3/5.6	3000	10200	240	12.5	98.25/250	19.5/50	39.5/100	2250	7650	208	10.8	98.25/250	19.5/50	39.5/100
ALPHA H2 CANDEL - 4000W / 240V	SALPHA2-40240L1*	12.3/5.6	4000	13600	240	16.7	98.25/250	19.5/50	39.5/100	3000	10200	208	14.4	98.25/250	19.5/50	39.5/100
ALPHA H2 CANDEL - 4000W / 277V	SALPHA2-40277L1	12.3/5.6	4000	13600	277	14.4	94.5/240	7.5/19	39.5/100	NOT APPLICABLE						

SKU NOTES: *SEE PRODUCT CATALOGUE FOR STANDARD COLOR OPTIONS. L1 DENOTES CANDEL ULTRA LOW LIGHT LAMP. ALL HEATERS COME WITH STANDARD 6.5" L BRACKETS | ** SPECIFICATIONS SUBJECT TO CHANGE WITHOUT NOTICE

NOTICE: THIS DOCUMENT IS NOT A SUBSTITUTE FOR APPROVED MANUAL. Failure to follow instruction manual may cause fire, electric shock or injury to persons. Solaira™ is a registered trademark of Inforesight Consumer Products. Customer, contractor specifier and installer understands that some or all products provided by Inforesight Consumer Products Inc. may not be available for purchase or installation in certain jurisdictions or geographical areas. Inforesight Consumer Products Inc. reserves the right, in its sole discretion, to exclude or otherwise limit the provision of any product to a person or entity residing in any jurisdiction or geographical area outside of Canada. Inforesight Consumer Products Inc. provides general product installation guidelines and procedures and Customer, contractor, specifier and installer understands that Customer, contractor, specifier and installer is solely and exclusively responsible for installation of the product and ascertaining all applicable local municipal, provincial, state, and federal NEC (National Electrical Code) rules, by-law, ordinances and guidelines applicable to the installation of any Inforesight Consumer Products Inc. products. Customer contractor, specifier and installer must strictly adhere to and be compliant with the local rules, laws, ordinances and legal requirements for the safe installation and use of any Inforesight Consumer Products Inc. products. Instruction manuals are included with the product packaging and copies of our instruction manuals are available upon request. Under no circumstances shall Inforesight Consumer Products Inc. or its affiliated entities, employees, agents, shareholders, officers or directors be liable to Customer or any third party for any product installations and Customer, contractor, specifier and installer releases Inforesight Consumer Products Inc. from any and all losses, death, personal injury, property damage, other damages, rights, claims, demands and actions of any kind arising from the Customer's installation and use of the product, whether the installation was or was not in accord with the provided instruction manual and/or in compliance with applicable local laws. Solaira products are to be installed by licensed technicians per instruction manuals and to all provincial/state and national (N.E.C.) code requirements; specifications subject to change without notice.



B2	2024-10-23
REVISION	DATE: YYYY-MM-DD

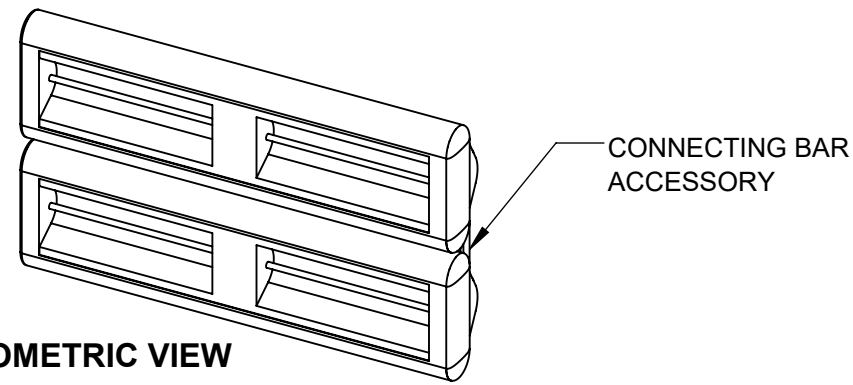
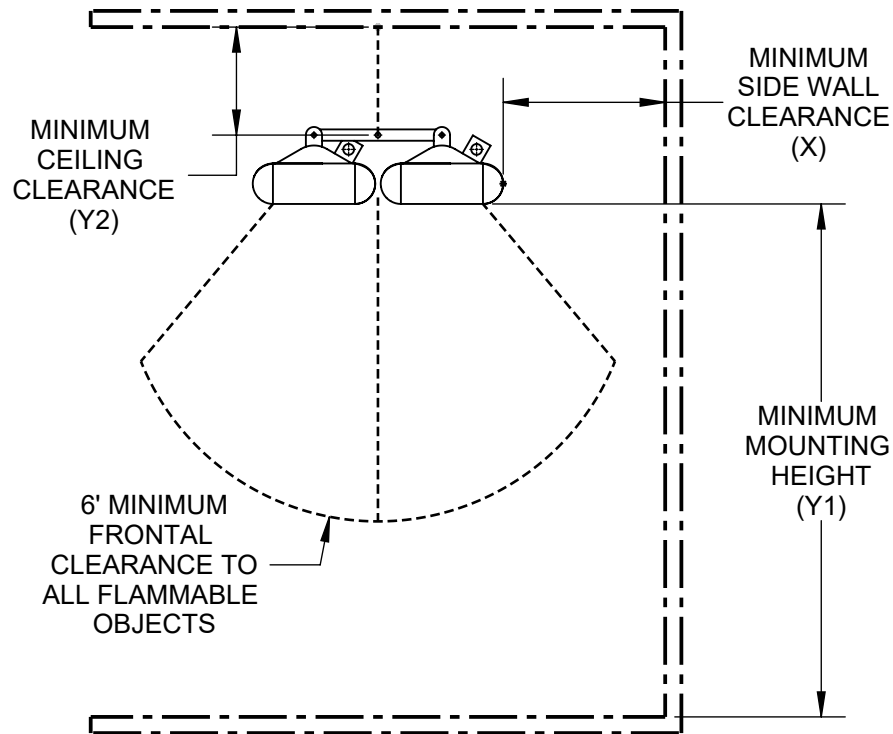
Solaira
The Architect and Engineers Choice

MODEL
SOLAIRA ALPHA H2

SHEET NO. 1 OF 3	SHEET SCALE 1:10	SHEET SIZE 11X17
---------------------	---------------------	---------------------

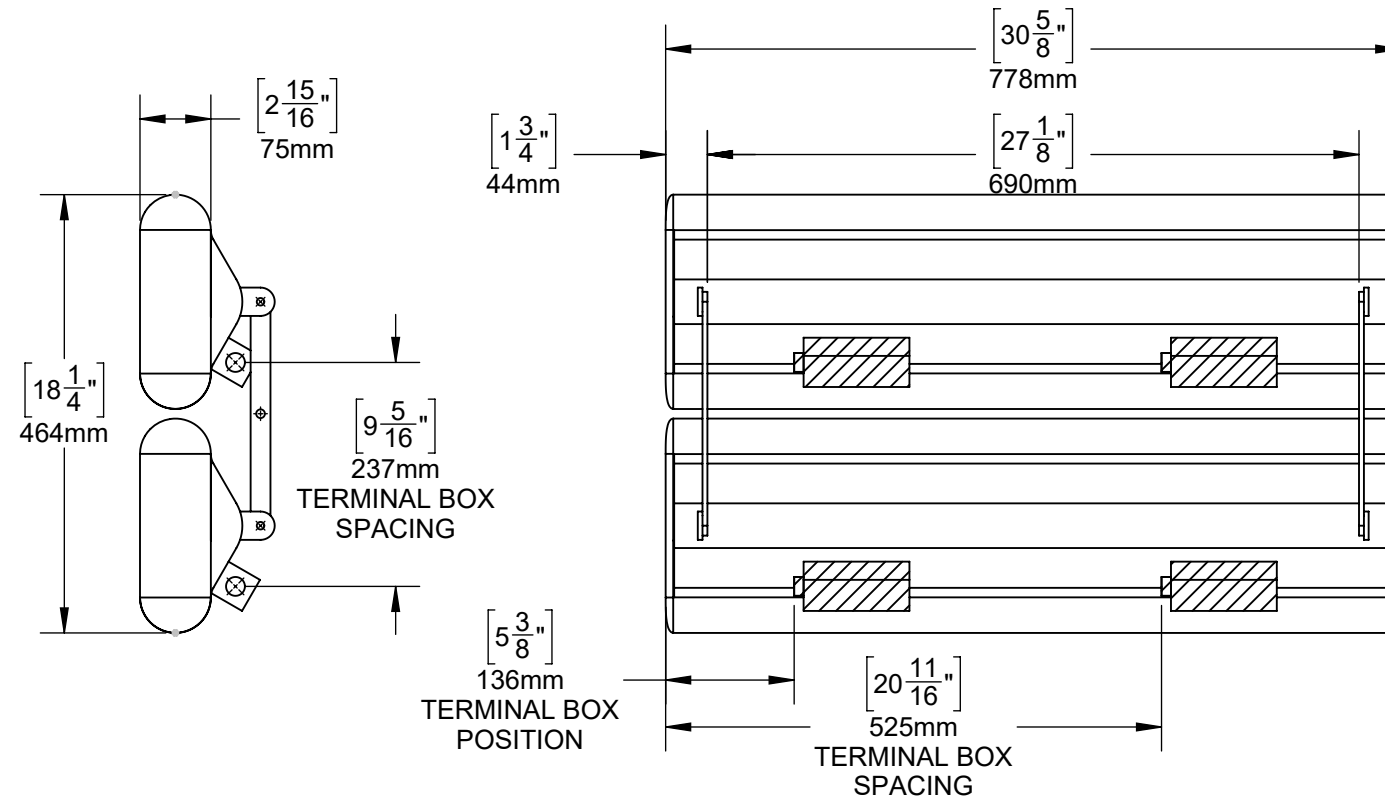
HEATER CLEARANCE REQUIREMENTS

SEE 'HEATER SPECIFICATIONS' TABLE



ISOMETRIC VIEW

OVERALL SIZE AND MOUNTING DIMENSIONS



SUITABLE MOUNTING CONFIGURATIONS

1. CEILING SUSPENDED

- CONTRACTOR SUPPLIED CHAIN OR BRACKET
- SOLAIRA CONNECTING BAR ACCESSORY (SOLD SEPARATELY, 2 REQUIRED)



MODEL	A (FEET)	B (FEET)	C (FEET)	HEAT ZONE* (SQUARE FEET)	HEAT DENSITY* (WATTS/SQUARE FEET)
2X SALPHA2-30240L1	12	13	14	182	33
2X SALPHA2-40240L1	12	14	15	200	34

HEAT DENSITY IS REDUCED BY 25% WHEN DE-RATED TO 208V
HEAT DENSITY AND DISTRIBUTION REMAINS UNCHANGED AT 277V

SHORTWAVE INFRARED HEATERS FOR:
INDOOR USE - COMMERCIAL AND INDUSTRIAL ONLY
OUTDOOR USE - RESIDENTIAL, COMMERCIAL AND INDUSTRIAL
FOR USE IN NON-HAZARDOUS AREAS ONLY


**HEATER SPECIFICATIONS

DESCRIPTION	ITEM/ SKU	WEIGHT (LBS/KG)	240V/ 277V							208V						
			POWER (WATTS)	HEAT DELIVERED (BTU)	VOLTAGE (VOLTS)	CURRENT (AMPS)	MINIMUM HEIGHT (INCH/cm) (Y1)	CEILING CLEARANCE (INCH/cm) (Y2)	SIDE WALL CLEARANCE (INCH/cm) (X)	POWER (WATTS)	HEAT DELIVERED (BTU)	VOLTAGE (VOLTS)	CURRENT (AMPS)	MINIMUM HEIGHT (INCH/cm) (Y1)	CEILING CLEARANCE (INCH/cm) (Y2)	SIDE WALL CLEARANCE (INCH/cm) (X)
2X ALPHA H2 CANDEL - 3000W / 240V	2X SALPHAH2-30240L1*	30/11.2	6000	20400	240	25	120/305	19.5/50	59/150	4500	15300	208	21.6	108/274	19.5/50	59/150
2X ALPHA H2 CANDEL - 4000W / 240V	2X SALPHAH2-40240L1*	30/11.2	8000	27200	240	33.3	144/366	19.5/50	59/150	6000	20400	208	29	120/305	19.5/50	59/150
2X ALPHA H2 CANDEL - 4000W / 277V	2X SALPHAH2-40277L1*	30/11.2	8000	27200	277	28.8	107/272	15/38	48/121	6000	20400	NOT APPLICABLE				


SKU NOTES: *SEE PRODUCT CATALOGUE FOR STANDARD COLOR OPTIONS. L1 DENOTES CANDEL ULTRA LOW LIGHT LAMP. ALL HEATERS COME WITH STANDARD 6.5" L BRACKETS | ** SPECIFICATIONS SUBJECT TO CHANGE WITHOUT NOTICE

NOTICE: THIS DOCUMENT IS NOT A SUBSTITUTE FOR APPROVED MANUAL. Failure to follow instruction manual may cause fire, electric shock or injury to persons. Solaira™ is a registered trademark of Inforesight Consumer Products. Customer, contractor specifier and installer understands that some or all products provided by Inforesight Consumer Products Inc. may not be available for purchase or installation in certain jurisdictions or geographical areas. Inforesight Consumer Products Inc. reserves the right, in its sole discretion, to exclude or otherwise limit the provision of any product to a person or entity residing in any jurisdiction or geographical area outside of Canada. Inforesight Consumer Products Inc. provides general product installation guidelines and procedures and Customer, contractor, specifier and installer understands that Customer, contractor, specifier and installer is solely and exclusively responsible for installation of the product and ascertaining all applicable local municipal, provincial, state, and federal NEC (National Electrical Code) rules, by-law, ordinances and guidelines applicable to the installation of any Inforesight Consumer Products Inc. products. Customer contractor, specifier and installer must strictly adhere to and be compliant with the local rules, laws, ordinances and legal requirements for the safe installation and use of any Inforesight Consumer Products Inc. products. Instruction manuals are included with the product packaging and copies of our instruction manuals are available upon request. Under no circumstances shall Inforesight Consumer Products Inc. or its affiliated entities, employees, agents, shareholders, officers or directors be liable to Customer or any third party for any product installations and Customer, contractor, specifier and installer releases Inforesight Consumer Products Inc. from any and all losses, death, personal injury, property damage, other damages, rights, claims, demands and actions of any kind arising from the Customer's installation and use of the product, whether the installation was or was not in accord with the provided instruction manual and/or in compliance with applicable local laws. Solaira products are to be installed by licensed technicians per instruction manuals and to all provincial/state and national (N.E.C.) code requirements; specifications subject to change without notice.

B2	2024-10-23
REVISION	DATE: YYYY-MM-DD



Certified to UL2021 and CSA 22.2 46-13

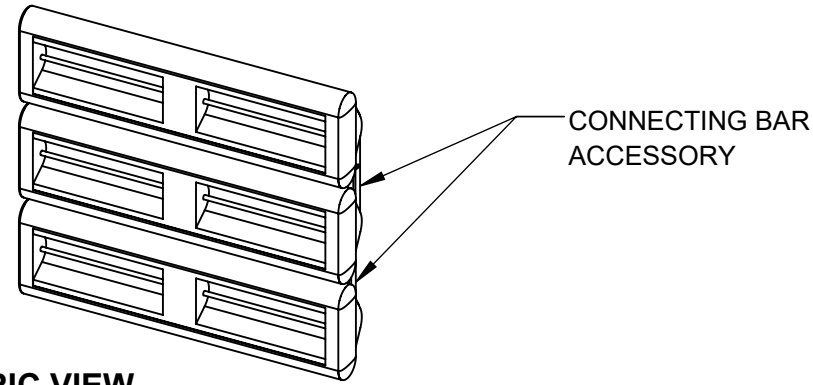
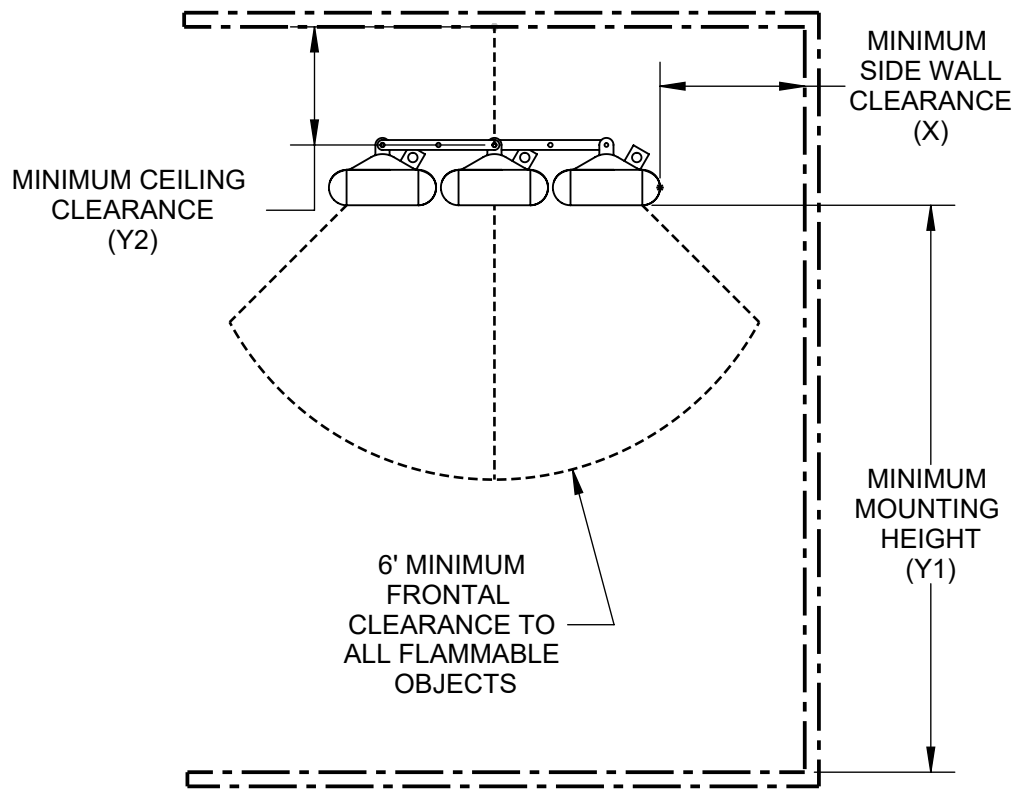


The Architect and Engineers Choice

MODEL		SOLAIRA ALPHA H2 X2	
SHEET NO.	SHEET SCALE	SHEET SIZE	
2 OF 3	1:8	11X17	

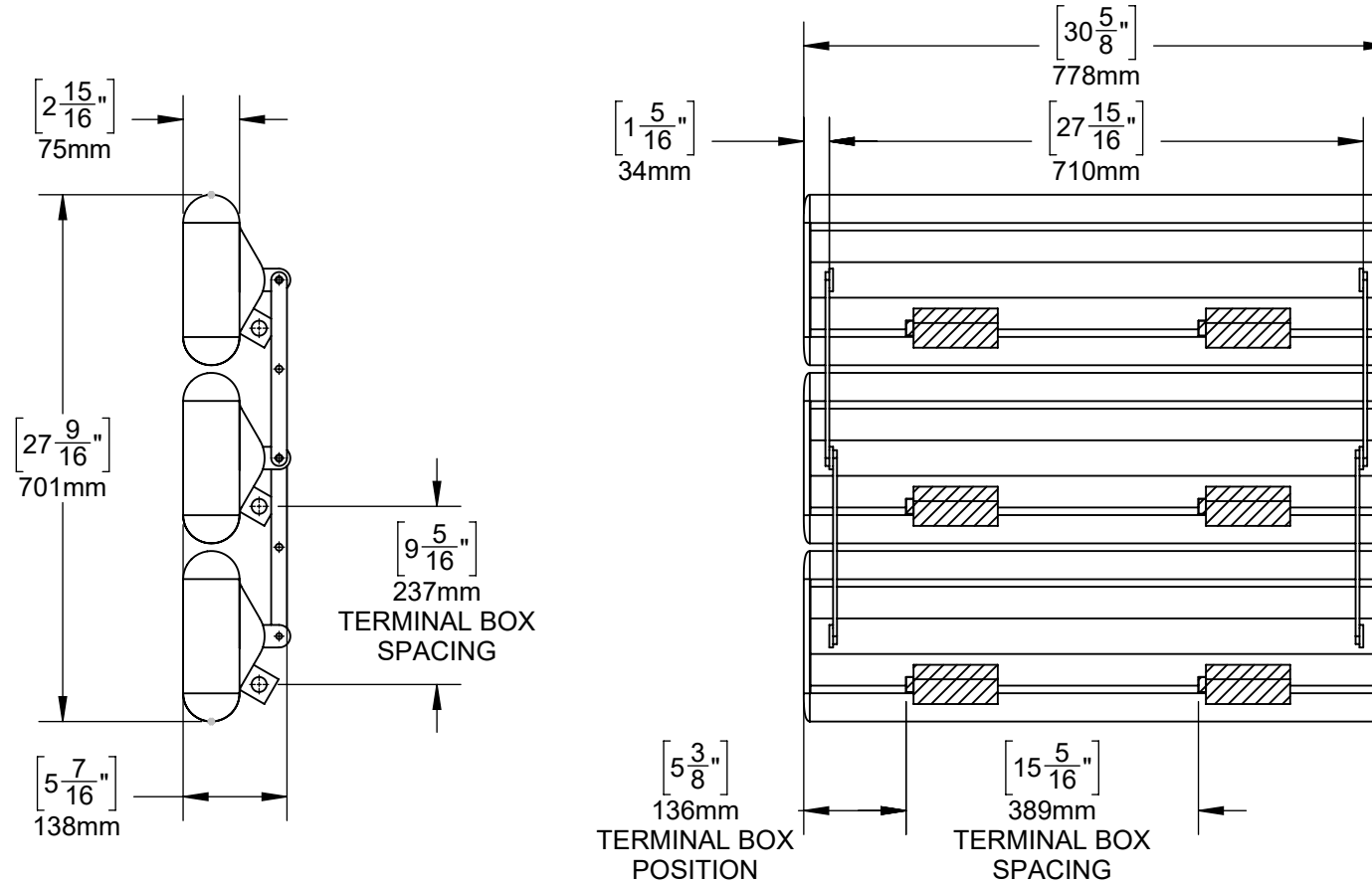
HEATER CLEARANCE REQUIREMENTS

SEE 'HEATER SPECIFICATIONS' TABLE



ISOMETRIC VIEW

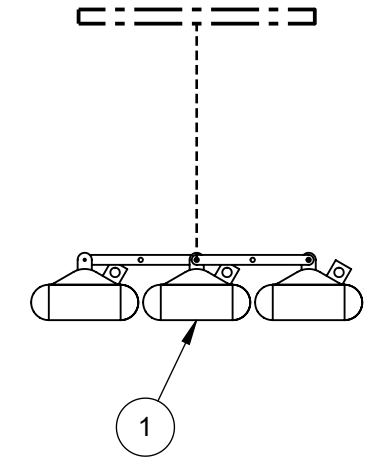
OVERALL SIZE AND MOUNTING DIMENSIONS



SUITABLE MOUNTING CONFIGURATIONS

1. CEILING SUSPENDED

- CONTRACTOR SUPPLIED CHAIN OR BRACKET
- SOLAIRA CONNECTING BAR ACCESSORY (SOLD SEPARATELY, 4 REQUIRED)



SHORTWAVE INFRARED HEATERS FOR:
 INDOOR USE - COMMERCIAL AND INDUSTRIAL ONLY
 OUTDOOR USE - RESIDENTIAL, COMMERCIAL AND INDUSTRIAL
 FOR USE IN NON-HAZARDOUS AREAS ONLY

**HEATER SPECIFICATIONS

DESCRIPTION	ITEM/ SKU	WEIGHT (LBS/KG)	240V/ 277V							208V						
			POWER (WATTS)	HEAT DELIVERED (BTU)	VOLTAGE (VOLTS)	CURRENT (AMPS)	MINIMUM HEIGHT (INCH/cm) (Y1)	CEILING CLEARANCE (INCH/cm) (Y2)	SIDE WALL CLEARANCE (INCH/cm) (X)	POWER (WATTS)	HEAT DELIVERED (BTU)	VOLTAGE (VOLTS)	CURRENT (AMPS)	MINIMUM HEIGHT (INCH/cm) (Y1)	CEILING CLEARANCE (INCH/cm) (Y2)	SIDE WALL CLEARANCE (INCH/cm) (X)
3X ALPHA H2 CANDEL - 3000W / 240V	3X SALPHA2-30240L1*	46.9/16.8	9000	30600	240	37.5	158/401	19.5/50	59/150	6750	22950	208	32.5	132/335	19.5/50	59/150
3X ALPHA H2 CANDEL- 4000W / 240V	3X SALPHA2-40240L1*	46.9/16.8	12000	40800	240	50	177/450	19.5/50	59/150	9000	30600	208	43.3	158/401	19.5/50	59/150
3X ALPHA H2 CANDEL - 4000W / 240V	3X SALPHA2-40277L1*	46.9/16.8	12000	40800	277	43.3	132/330	15/38	59/150	NOT APPLICABLE						

SKU NOTES: *SEE PRODUCT CATALOGUE FOR STANDARD COLOR OPTIONS. L1 DENOTES CANDEL ULTRA LOW LIGHT LAMP. ALL HEATERS COME WITH STANDARD 6.5" L BRACKETS | ** SPECIFICATIONS SUBJECT TO CHANGE WITHOUT NOTICE



C US
 Certified to UL2021
 and CSA 22.2 46-13

SHEET NO.
 3 OF 3

B2 2024-10-23
 REVISION DATE: YYYY-MM-DD

Solaira
 The Architect and Engineers Choice

MODEL
SOLAIRA ALPHA H2 X3

SHEET SCALE 1:10 SHEET SIZE 11X17

NOTICE: THIS DOCUMENT IS NOT A SUBSTITUTE FOR APPROVED MANUAL. Failure to follow instruction manual may cause fire, electric shock or injury to persons. Solaira™ is a registered trademark of Inforesight Consumer Products. Customer, contractor specifier and installer understands that some or all products provided by Inforesight Consumer Products Inc. may not be available for purchase or installation in certain jurisdictions or geographical areas. Inforesight Consumer Products Inc. reserves the right, in its sole discretion, to exclude or otherwise limit the provision of any product to a person or entity residing in any jurisdiction or geographical area outside of Canada. Inforesight Consumer Products Inc. provides general product installation guidelines and procedures and Customer, contractor, specifier and installer understands that Customer, contractor, specifier and installer is solely and exclusively responsible for installation of the product and ascertaining all applicable local municipal, provincial, state, and federal NEC (National Electrical Code) rules, by-law, ordinances and guidelines applicable to the installation of any Inforesight Consumer Products Inc. products. Customer contractor, specifier and installer must strictly adhere to and be compliant with the local rules, laws, ordinances and legal requirements for the safe installation and use of any Inforesight Consumer Products Inc. products. Instruction manuals are included with the product packaging and copies of our instruction manuals are available upon request. Under no circumstances shall Inforesight Consumer Products Inc. or its affiliated entities, employees, agents, shareholders, officers or directors be liable to Customer or any third party for any product installations and Customer, contractor, specifier and installer releases Inforesight Consumer Products Inc. from any and all losses, death, personal injury, property damage, other damages, rights, claims, demands and actions of any kind arising from the Customer's installation and use of the product, whether the installation was or was not in accord with the provided instruction manual and/or in compliance with applicable local laws. Solaira products are to be installed by licensed technicians per instruction manuals and to all provincial/state and national (N.E.C.) code requirements; specifications subject to change without notice.