

## OMNIS CONTROLS

Technical Sheet

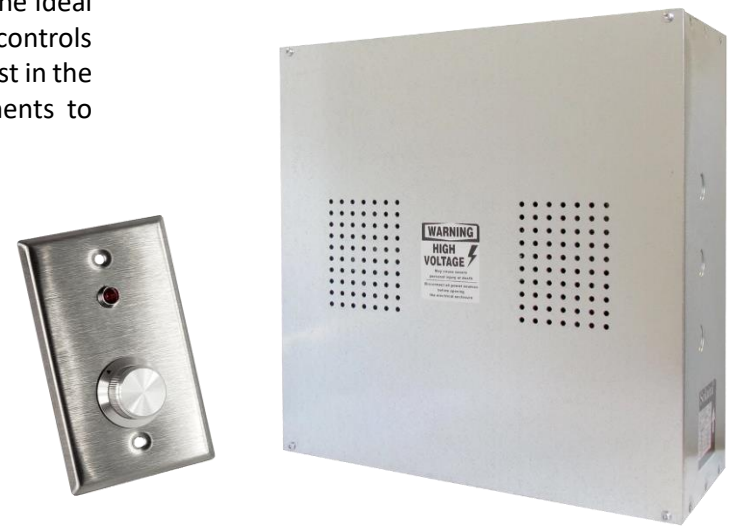
**PASCR30-1-DIN**

**PASCR90-1-DIN**

**PASCR165-1-DIN**

### DESCRIPTION

The single zone Solaira Omnis Controls utilizes a multitude of input options and accessory ready DIN rail to provide variable dimming output to your heaters. Reduce energy costs and power consumption by modulating the required output based on your zone-specific requirements. Adjust heaters to the ideal output with the included 0-100% rotary dimmer. With high inrush protection, Omnis SCR controls extend the longevity of your electric infrared emitters by preventing thermal shock. Put your trust in the reliability of Solaira Omnis Controls with higher precision and superior solid-state components to traditional mechanical contactors.



*0-10v Potentiometer & PASCR90-1-DIN  
Omnis Control Panel*

## FEATURES

- Single Zone 30A/90A/165A Configurations\*
- Solid State Components
- Universal 0-10 VDC input w/ Included 0-10v dimming knob
- 4-20mA Analog Input
- Occupancy Sensor Ready (Optional PSW-OS)
- Timer Ready (Optional PSST-MAXTIM)
- Indoor/Outdoor Thermostat Ready (Optional PSW-THERMV3)
- Home Integration Compatible
- BACnet Ready (Optional PSST-BACNET)
- NEMA 1 Vented Enclosure
- CSA/UL508A Approved

\*All heaters are controlled at once, for multi-zone options, consider Solaira Omnis Custom

## TECHNICAL SPECIFICATIONS

### Supply

- 120/208/240/277-volt, Single Phase
- Power Draw: Up to 30A/90A/165A

### Outputs

- 1 - TERMINAL BLOCK, 115A, 600V, 2 POLE, 2 AWG
- 1 - 24VAC Feed
- 1 - 24VDC Feed
- 1 - 0-10VDC Feed

### Inputs

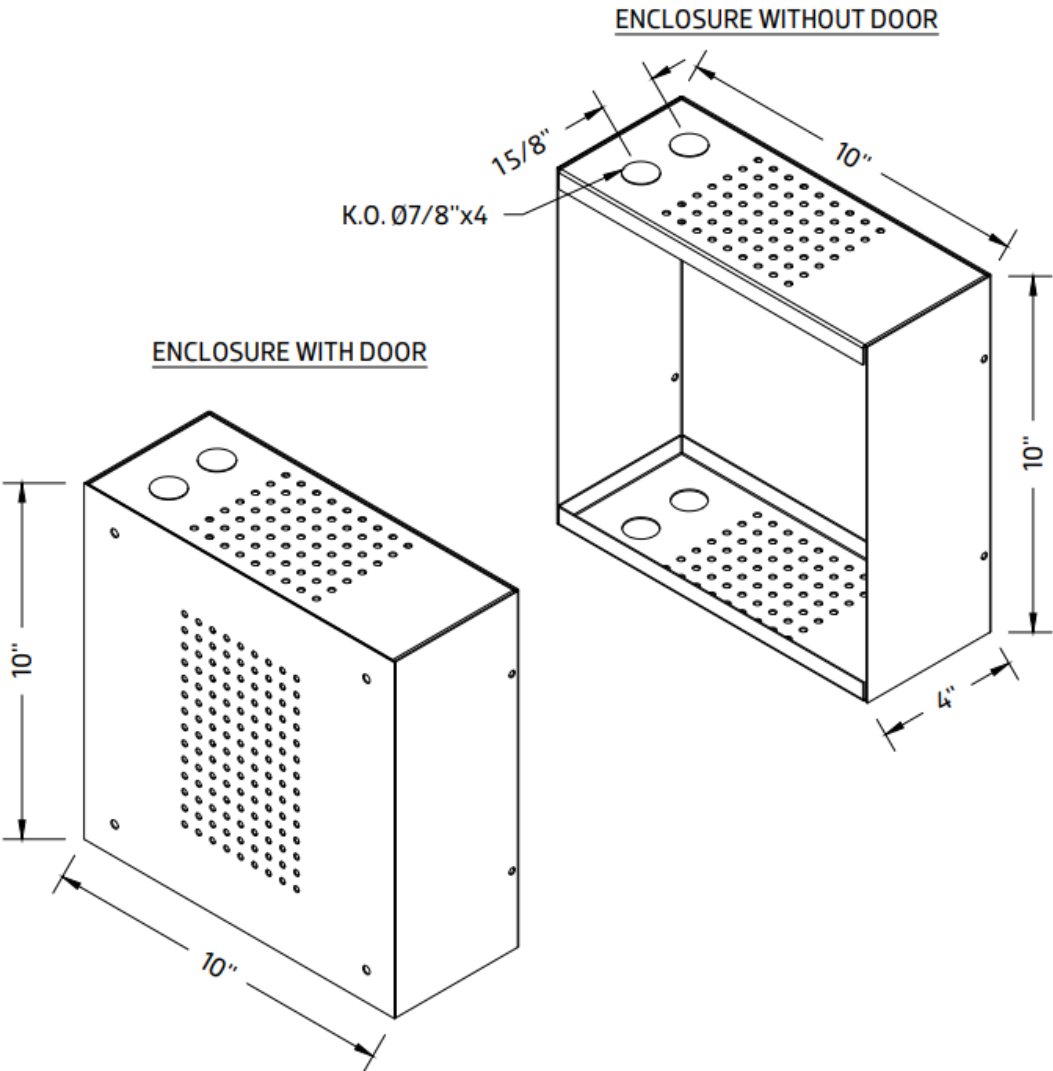
- 1 - 0-10vdc Input
- 1 - 4-10mA Input
- 1 - Occupancy Sensor Input
- 1 - ON/OFF Input

### Environment

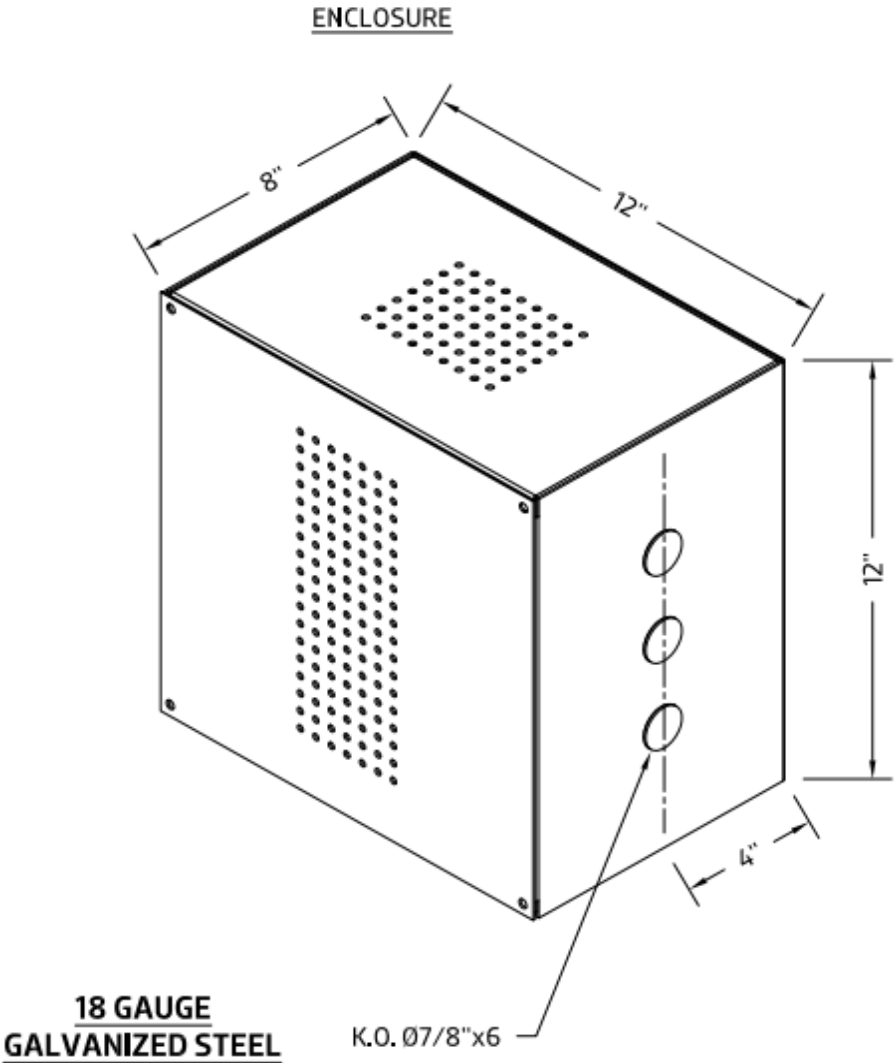
- Operating temperature: 0°C to 45°C (32°F to 104°F)
- Storing temperature: -40°C to 80°C (-40°F to 185°F)
- Install location must be dry and well ventilated

**DIMENSIONS**

**PASCR-30/90**



**PASCR-165**



## GENERAL PANEL WIRING

For illustrative purposes only

